



REDLAND®
CLAY TILE

Redland Clay Tile, *Del corazón de la Tierra*. Translated from Spanish it means: *From the heart of the land*. Naturally this ideal befits the name, because the clay of every two-piece Redland tile is truly of the earth. A harmonious union with the very land that helped create it; a tile that embodies an honest connection with the history of art, architecture, culture and industry. Hand-crafted with the same passion artisans have possessed for generations.

Historically, clay tile was formed by hand. As a result, personality was always a part of the handmade process. A process that is perfectly imperfect, with pleasurable variations in color, texture and shape that identifies a bond between the craftsman and the craft itself. Redland endeavors to keep this authenticity alive; this human touch that influences each and every tile. *Corazón y alma*. Heart and soul.

Redland Clay Tile constantly pursues this sincere respect for the past. An enigmatic reminder of the splendor of what was and what can be. *Del corazón de la Tierra*.

<i>Two-Piece Mission</i>	4
<i>Two-Piece Mission Sandcast</i>	6
<i>Alfaro "S" Tile</i>	8
<i>Baja Mission</i>	10
<i>The Redland Process</i>	12
<i>Gallery</i>	13
<i>Baja Mission Sandcast</i>	18
<i>Roman Pan</i>	20
<i>Junipero</i>	22
<i>Cambridge Shingle</i>	24
<i>Color Selector</i>	26

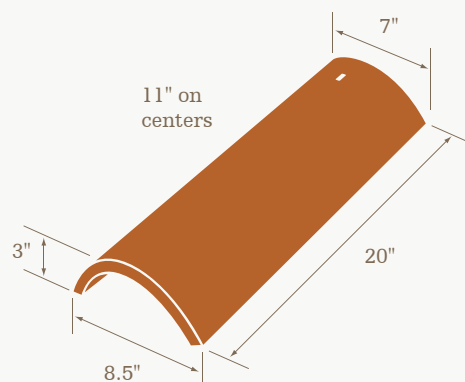
Two-Piece Mission 2000 Series



2251: Old Sedona Blend *Tuscan Estates, Rancho Santa Fe, CA*

Redland's Two-Piece Mission tile is a barrel roof tile most associated with traditional clay roofs. Popularized by the early Spanish Missions throughout the southwest, they are a standard size, smooth-finished tile with a color palette that ranges from classic terra cotta to peach and buff. And just like Redland's Baja Mission tiles, its palette also includes flashes of darker brown and sandstone to accentuate the range of colors.

Exposure: 17" maximum, 3" head lap
Weight: 1070 lbs. per square (approx.)
Quantity: 154 pcs. per square (approx.)





2211
Terra Cotta Blend

2221
Peach Blend

2231
Buff Blend

2241
Adobe Brown Blend

2243
Cafe Antigua Blend

2271
Sandstone Blend

22111
Palmilla Blend



2251
Old Sedona Blend



2261
Laguna Buff Blend



22141
Adobe Brown Flash Blend

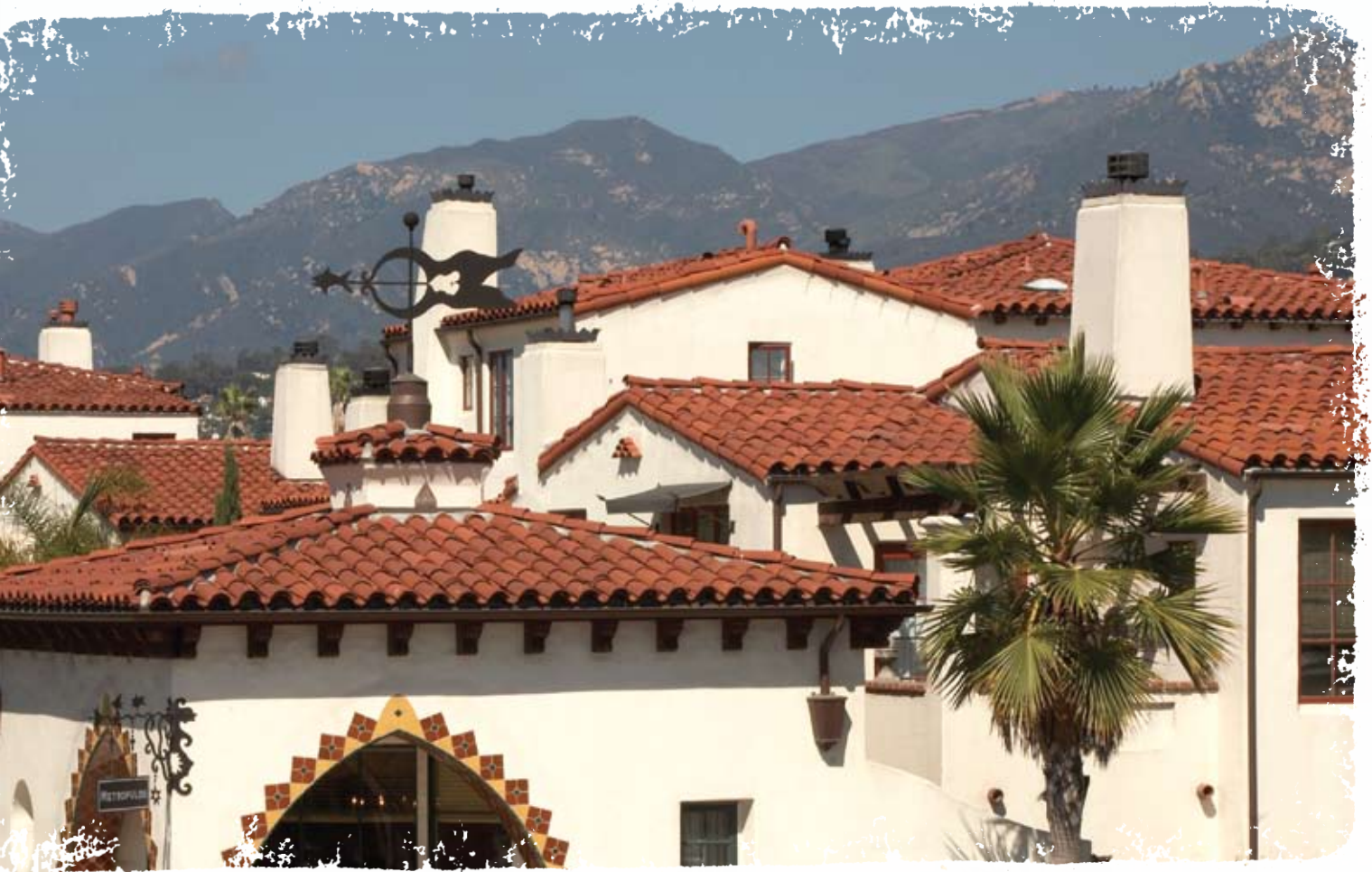


22171
Sandstone Flash Blend

Traditional

All flash tiles are shipped with standard non-flashed pan tiles.
Because there are natural variations in clay color, tiles are identified as blends.

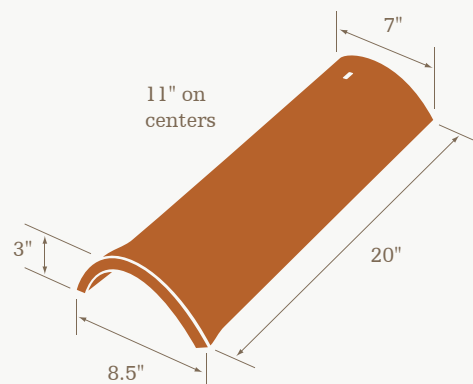
Two-Piece Mission Sandcast 2300 Series



2311: Terra Antigua Sandcast Blend *Santa Barbara, CA*

Forever linked with the historic architecture of California, Redland's standard size Two-Piece Mission Sandcast series — larger than Baja Mission Sandcast — has a rustic mud wash finish and thumb-butt ends. It is a profile associated with early California Adobe Ranch, Mission, Santa Barbara Andalusian and Spanish Colonial Revival styles. The color palette has classic terra cotta blends but also includes tiles with darker browns and flashed pale pinto golds.

Exposure: 17" maximum, 3" head lap
Weight: 1070 lbs. per square (approx.)
Quantity: 154 pcs. per square (approx.)





2311-NO
Terra Cotta
Sandcast Blend

2311
Terra Antigua
Sandcast Blend

2341
Adobe Brown
Sandcast Blend

2343
Cafe Antigua
Sandcast Blend



2351
Old Hacienda
Sandcast Blend



2395
Pinto Gold Flash
Sandcast Blend



2397
Cafe Gold Flash
Sandcast Blend



2391
Moss Green Flash
Sandcast Blend

All flash tiles are shipped with standard non-flashed pan tiles.
Because there are natural variations in clay color, tiles are identified as blends.

Alfaro 3000 Series



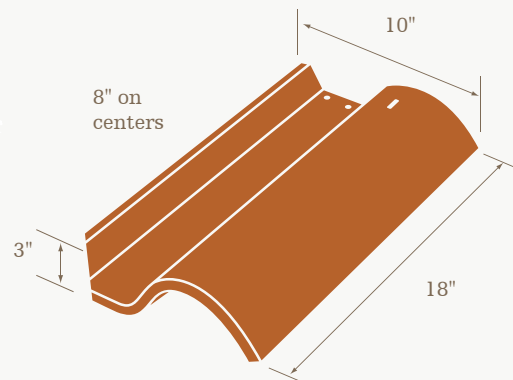
3050: Old Sedona Blend *Glendora, CA*

A new offering from Redland Clay Tile, Alfaro is an attractive, cost-effective choice for those seeking a premium look and feel. With a Spanish-influenced design, Alfaro's smaller profile creates a more proportioned look with greater texture. From deep greens to light tans to terra cotta, the Alfaro tile consists of a wide variety of color blends to choose from.

Exposure: 15" maximum, 3" head lap

Weight: 800 lbs. per square (approx.)

Quantity: 120 pcs. per square (approx.)





3010
Terra Cotta Blend



3050
Old Sedona Blend



3040
Adobe Brown Blend



3091
Moss Green Flash Blend



3043
Cafe Antigua Blend



3095
Pinto Gold Flash Blend



3097
Cafe Gold Flash Blend



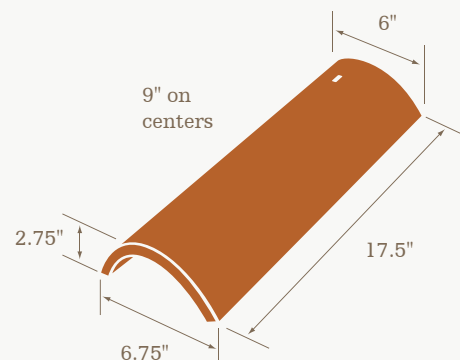
Baja Mission 4000 Series



4241,4243,4271: Castellina Blend Santa Monica, CA

With its refined surface finish, Redland's two-piece Baja Mission tile is an aesthetically attractive, smaller profile that is suitable for the variety of styles inspired by the indigenous architecture of the Mediterranean. Baja Mission's clay colors range from classic terra cotta to soft peach and buff. Its palette also includes flashes of darker adobe browns and sandstones to accentuate the range of colors that comprise this tile's expansive palette.

Exposure: 14.5" maximum, 3" head lap
Weight: 940 lbs. per square (approx.)
Quantity: 220 pieces per square (approx.)





4111

Palmilla Blend

4211

Terra Cotta Blend

4221

Peach Blend

4231

Buff Blend

4241

Adobe Brown Blend

4243

Cafe Antigua Blend

4271

Sandstone Blend



4251

Old Sedona Blend



4261

Laguna Buff Blend



4281

Peach Flash Blend



42171

Sandstone Flash Blend

final superficial repairs

All flash tiles are shipped with standard non-flashed pan tiles.
Because there are natural variations in clay color, tiles are identified as blends.

The Redland Process :

100 percent natural from the ground up

Since its formation in 1990 Redland Clay Tile's manufacturing philosophy continues to this day. A philosophy that a 100 percent natural clay roof tile would be the only tile crafted by Redland. It is a shared value expressed by all Redland team members throughout the company.

Creating a wide selection of profiles with rich color palettes and distinctive textures takes effort. Every step of the process is carefully monitored to accurately produce the expected quality in each individual tile. Redland maintains this strict manufacturing procedure from start to finish. From the mining of Redland's own clay to the molding, fire-flashing and careful packaging of tile, each step assures

delivery of a Redland clay tile that is unsurpassed in beauty and quality. Clay tile that demonstrates textural and color nuances that cannot be achieved by inferior methods.

Engaging the client in the selection process is important to Redland. Consequently, two simple, yet significant steps are necessary.

Step one: Select the tile size.



Step two: Select the color palette.

Redland clay tiles are categorized into distinct profiles based upon size and texture. And within each profile category, certain colors comprise each profile's palette and can be mixed and matched to create unique combinations. Consequently, a selected blend of color and texture — or profile shape, Roman pan, for instance — coupled with the ratio of tiles installed creates a unique blend that matches a particular architectural style.

A close relationship to the land is evident in all Redland Clay Tile. A relationship that connects the clay in the ground to the roof on the house. Always 100 percent natural from the ground up.



4351,4343: Old Hacienda Sandcast & Cafe Antigua Sandcast Blends *Montecito, CA*



4311,4351,4395 *Laguna Beach, CA*



2251, 2221, 22171, 2231: White Oak Blend *Healdsburg, CA*





4251,4241,4243,42171: Villa Borgata Blend Scottsdale, AZ



6050,6010,4311-NO,4351,4311,4321 Palm Beach, FL



4343,4351,4311,4395,43171: Chapel Hill Blend *Dallas, TX*



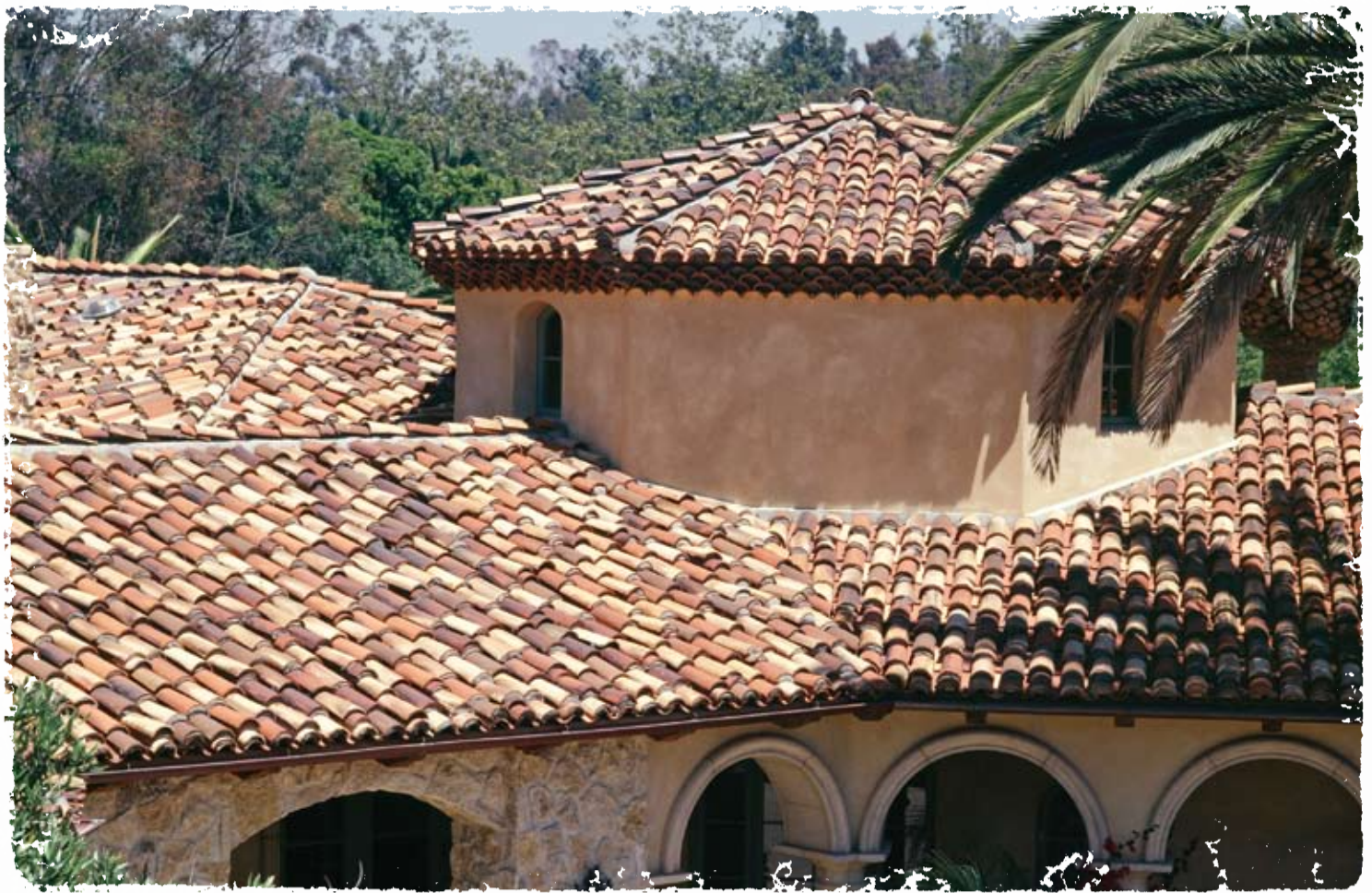
4241,4243,4251,42171: Bacon Blend *Scottsdale, AZ*



2241,2251,22141: Firenze Blend *Rancho Santa Fe, CA*



Baja Mission Sandcast 4300 Series



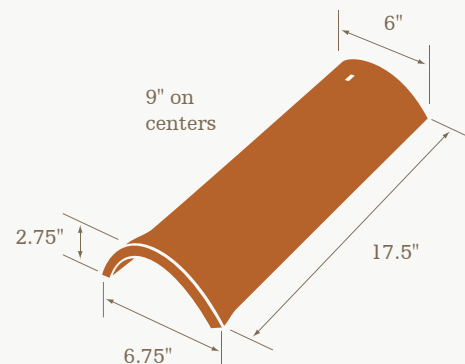
4395,4351,4343: Casa Vieja Blend Rancho Santa Fe, CA

Baja Mission Sandcast is a smaller tile hand-finished with a rustic mud wash. While the clay is still wet the visible leading edge is pressed to create a thumb-butt which expresses the craftsman's signature. Inspired by the pastoral regions of Italy and Spain, Baja Mission Sandcast enhances historic old-world styles. It's palette is similar to Baja Mission's yet it also includes flashes of dark, mossy-greens, pinto golds and sandstone.

Exposure: 14.5" maximum, 3" head lap

Weight: 940 lbs. per square (approx.)

Quantity: 220 pcs. per square (approx.)





4311-NO
Terra Cotta
Sandcast Blend

4311
Terra Antigua
Sandcast Blend

4321
Durazno
Sandcast Blend

4341
Adobe Brown
Sandcast Blend

4343
Cafe Antigua
Sandcast Blend



4351
Old Hacienda
Sandcast Blend



4391
Moss Green Flash
Sandcast Blend



4393
Old Saltillo
Sandcast Blend



4395
Pinto Gold Flash
Sandcast Blend



4397
Cafe Gold Flash
Sandcast Blend



43171
Sandstone Flash
Sandcast Blend

All flash tiles are shipped with standard non-flashed pan tiles.
Because there are natural variations in clay color, tiles are identified as blends.

Roman Pan 6000 Series



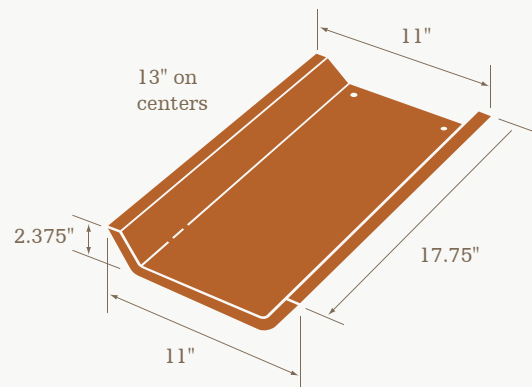
4343,4243,4341,4241,6043,6040: Casa Sollevare Blend, Baja Mission Tops/Roman Pans Grand Junction, CO

Some of the earliest roof tiles documented were connected with the simultaneous rise of monumental architecture in ancient Greece. Tile installation — which included the traditional barrel tile shapes — also incorporated a flat pan underneath the barrel-shaped Baja Mission top. Redland's Roman Pans replicates this architectural legacy. When coupled with any of Redland's Baja Mission or Baja Mission Sandcast tops, the combination of barrel tops with flat pans offers an attractive alternative to the traditional roof installation pattern.

Exposure: 14.75" maximum, 3" head lap

Weight: 1000 lbs. per square (approx.)

Quantity: 152 pcs. per square (approx.)





6010
Terra Cotta Blend



6050
Old Sedona Blend



6040
Adobe Brown Blend



6096
Pinto Gold Flash Blend



6043
Cafe Antigua Blend



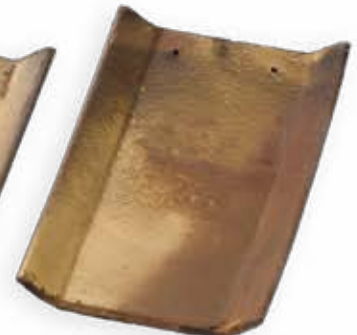
6170
Sandstone Flash Blend



6070
Sandstone Blend



6098
Cafe Gold Flash Blend



Roman Pan is always paired with the Baja Mission or Roman tops.

Junipero 9000 Series



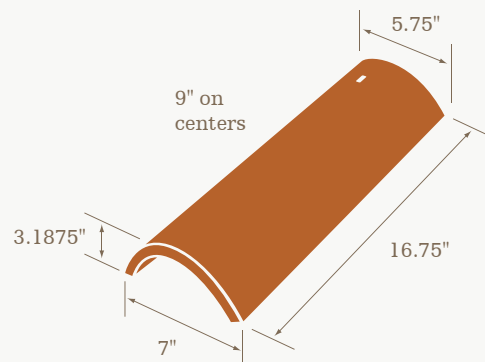
95111,9543: Rioja Handmade & Cafe Antigua Handmade Blends Santa Barbara, CA

Redland's two-piece Junipero clay tile re-captures the Spanish Colonial Revival and Adobe Ranch architectural roofstyles of the 20s and 30s. Junipero, the only ICC approved handmade tile, was created to meet the request for an exact match of the historic tile on The Biltmore Hotel in Santa Barbara, California. Junipero's thick body and collar, high barrel crown and artistic finish illuminates the handwork that is visible on its surface indentations. Each tile is a historic work of art with traditional earthen red colors and subtle sun-drenched golden flashes.

Exposure: 13.75" maximum, 3" head lap

Weight: 1400 lbs. per square (approx.)

Quantity: 232 pcs. per square (approx.)



Una obra de arte histórica



95111
Rioja Handmade



9543
Cafe Antigua Handmade



9597
Cafe Gold Flash Handmade

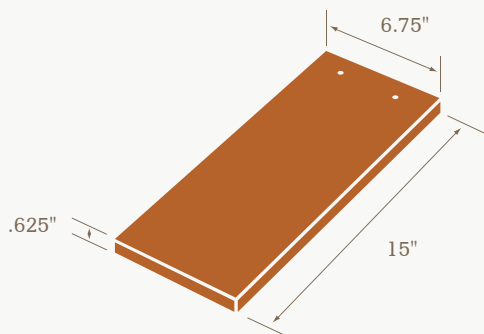
Cambridge Shingle *10000 Series*



10395, 10397, 10343 *Newport Beach, CA*

Named after the quaint, historic east coast college town where Georgian style architecture abounds and Harvard University and MIT were founded, Cambridge Shingle tiles echo a region of education and prosperity. Rough-hewn front edges and a sandcast finish capture the classic elegance of a true slate roof. The color palette available consists of dark browns, light tans and deep reds, creating rustic, earthy blends.

Exposure: 6.5" maximum, 8.5" head lap
Weight: 1,600 lbs. per square (approx.)
Quantity: 317 pieces per square (approx.)





10310
*Terra Antigua
Sandcast Blend*

10340
*Adobe Brown
Sandcast Blend*

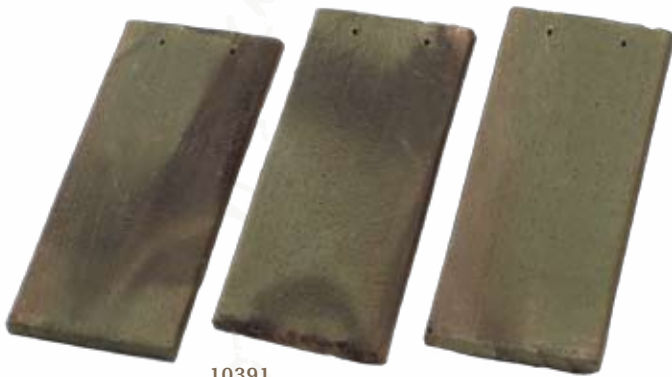
10343
*Cafe Antigua
Sandcast Blend*



10350
*Old Hacienda
Sandcast Blend*



10395
*Pinto Gold Flash
Sandcast Blend*



10391
*Moss Green Flash
Sandcast Blend*



10397
*Cafe Gold Flash
Sandcast Blend*

LIMITED LIFETIME PRODUCT WARRANTY

All Redland Clay Tile colors and blends have natural color variations due to the inherent characteristics of the raw materials used. To avoid excess color patterning, checker-boarding or stair stepping, the installer should periodically check the overall roof color from ground level at a reasonable distance.



REDLAND®
CLAY TILE

*100 Percent Natural
From the Ground Up*



REDLAND®
CLAY TILE

redlandclaytile.com 1.800.354.5983

